

N.B.
Pignoni **temprati ad induzione** sui denti (45 ÷ 55 HRC).
La sede linguetta è in asse con il dente.

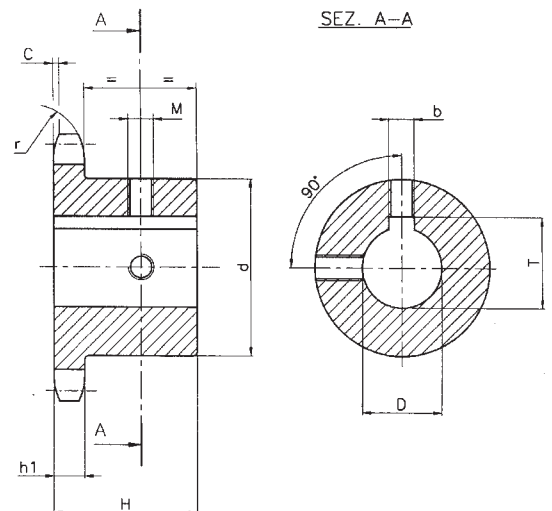
N.B.
Sprockets have **induction hardened** teeth (45 ÷ 55 HRC).
Keyway is located on center line of tooth.

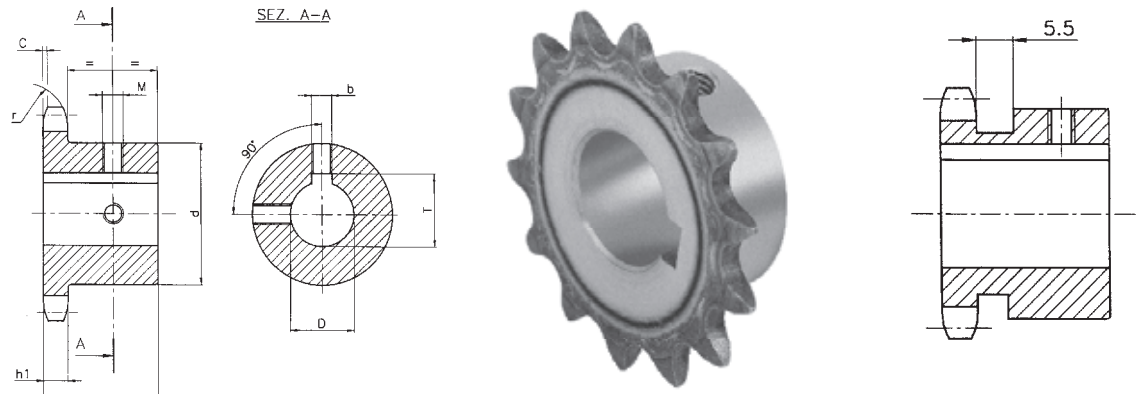
N.B.
Kettenraeder haben **induktionsgehaertete** Zaehne (45 ÷ 55 HRC).
Die Keilnut befindet sich auf Zahnmitte.

N.B.
Pignons ont denture **traitée par induction** (45 ÷ 55 HRC).
La rainure de clavette se trouve exactement en axe du dent.

N.B.
Piñones tienen dientes **templados por inducción** (45 ÷ 55 HRC).
La claveta está exactamente en línea con el diente.

D (H7)	b (H9)	T		M
10	3	D + 1,4	(+0,1/0)	M3
11	4	D + 1,8	(+0,1/0)	M3
12	4	D + 1,8	(+0,1/0)	M3
14	5	D + 2,3	(+0,1/0)	M4
15	5	D + 2,3	(+0,1/0)	M4
16	5	D + 2,3	(+0,1/0)	M4
18	6	D + 2,8	(+0,1/0)	M5
19	6	D + 2,8	(+0,1/0)	M5
20	6	D + 2,8	(+0,1/0)	M5
22	6	D + 2,8	(+0,1/0)	M5
24	8	D + 3,3	(+0,2/0)	M6
25	8	D + 3,3	(+0,2/0)	M6
28	8	D + 3,3	(+0,2/0)	M6
30	8	D + 3,3	(+0,2/0)	M6
32	10	D + 3,3	(+0,2/0)	M8
35	10	D + 3,3	(+0,2/0)	M8
38	10	D + 3,3	(+0,2/0)	M8
40	12	D + 3,3	(+0,2/0)	M10
42	12	D + 3,3	(+0,2/0)	M10
45	14	D + 3,8	(+0,2/0)	M12
48	14	D + 3,8	(+0,2/0)	M12
50	14	D + 3,8	(+0,2/0)	M12
60	18	D + 4,4	(+0,2/0)	M12
65	18	D + 4,4	(+0,2/0)	M12
70	20	D + 4,9	(+0,2/0)	M12



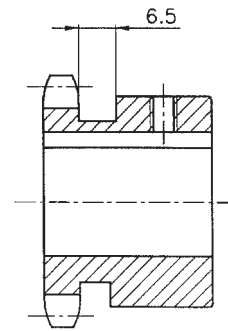
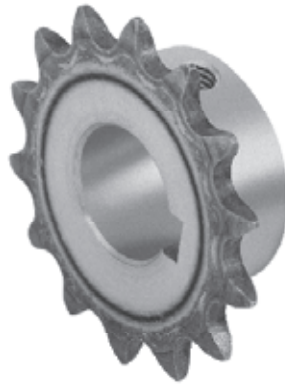
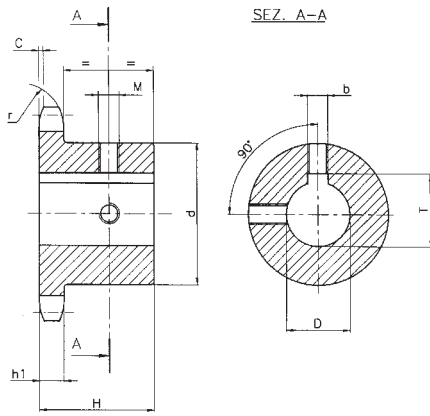

3/8" x 7/32"
Versione (*) / Type (*) / Typ (*) / Tipo (*)
06B-1 9,525 x 5,72 mm
DIN 8187 ISO/R606

CATENA	CHAIN	KETTE	CHAÎNE	CADENA	ISO mm
Passo	Pitch	Teilung	Pas	Paso	9,525
Larghezza interna	Internal width	Innere Breite	Largeur interieure	Ancho interno	5,720
Rullo ø	Roller ø	Rollen ø	ø du rouleau	Rodillo ø	6,350

PIGNONE	SPROCKETS	KETTENRÄDER	PIGNONS	PIÑONES	
Raggio dente r	Tooth radius r	Radius r	Rayon de denture r	Radio diente r	r 10,0
Larghezza raggio C	Radius width C	Breite C	Largeur de rayon C	Ancho radio C	C 1,0
Largh. Dente h ₁	Tooth width h ₁	Zahnbreite h ₁	Larg. de denture h ₁	Ancho diente h ₁	h₁ 5,3

b-T-M pag. / page 19
**Materiale C 45 E
UNI EN 10083-1**
**Material C 45 E
UNI EN 10083-1**
**Werkstoff C 45 E
UNI EN 10083-1**
**Matière C 45 E
UNI EN 10083-1**
**Material C 45 E
UNI EN 10083-1**

Cod.	Z	D	H	d	Cod.	Z	D	H	d	Cod.	Z	D	H	d
05SA010	10	10	22	24*	05SB416	16	24	28	42*	05SA821	21	18	28	48
05SA110		11			05SB516		25			05SA921		19		
05SA210		12			05SA217		12			05SB021		20		
05SA410	11	14	25	29*	05SA417	17	14	28	40	05SB221	22	22	28	50
05SA011		10			05SA517		15			05SB421		24		
05SA211		12			05SA617		16			05SB521		25		
05SA411	12	14	25	29*	05SA817	18	18	28	42	05SA522	22	15	28	52
05SA511		15			05SA917		19			05SA622		16		
05SA611		16			05SB017		20			05SA822		18		
05SA012	13	10	25	28	05SB217	19	22	28	43	05SA922	23	19	28	54
05SA212		12			05SB417		24			05SA022		20		
05SA412		14			05SB517		25			05SB022		22		
05SA512	14	15	25	31*	05SA218	18	12	28	45	05SB422	24	24	28	57
05SA612		16			05SA418		14			05SB522		25		
05SA013		10			05SA518		15			05SA523		15		
05SA213	15	12	25	31*	05SA618	19	16	28	46	05SA623	24	16	30	60
05SA413		14			05SA818		18			05SA823		18		
05SA513		15			05SA918		19			05SA923		19		
05SA613	16	16	25	35*	05SB018	20	20	28	48	05SA023	25	20	30	60
05SA813		18			05SB218		22			05SB023		22		
05SA214		12			05SB418		24			05SB223		24		
05SA414	17	14	25	31	05SB518	21	25	28	49	05SB423	26	24	30	60
05SA514		15			05SA219		12			05SB523		25		
05SA614		16			05SA419		14			05SA523		15		
05SA814	18	18	25	35*	05SA519	22	15	28	50	05SA624	27	16	30	60
05SA914		19			05SA619		16			05SA824		18		
05SA215		12			05SA819		18			05SA924		19		
05SA415	19	14	25	34	05SA919	23	19	28	51	05SB024	28	20	30	60
05SA515		15			05SB019		20			05SB224		22		
05SA615		16			05SB219		22			05SB424		24		
05SA815	20	18	25	38*	05SB419	24	24	28	52	05SA924	29	19	30	60
05SA915		19			05SB519		25			05SA625		16		
05SB015		20			05SA220		12			05SA825		18		
05SB215	21	22	25	42*	05SA420	25	14	28	53	05SA925	30	19	30	60
05SB415		24			05SA520		15			05SB025		20		
05SB515		25			05SA620		16			05SB225		22		
05SA216	22	12	28	37	05SA820	26	18	28	54	05SB425	31	24	30	60
05SA416		14			05SA820		18			05SB525		25		
05SA516		15			05SA920		19			05SB030		20		
05SA616	23	16	25	42*	05SB020	27	20	28	55	05SB230	32	22	30	60
05SA816		18			05SB220		22			05SB430		24		
05SA916		19			05SB420		24			05SB530		25		
05SB016	24	20	25	46	05SA521	28	15	28	56	05SB830	33	28	30	60
05SB216		22			05SA621		16			05SC030		30		

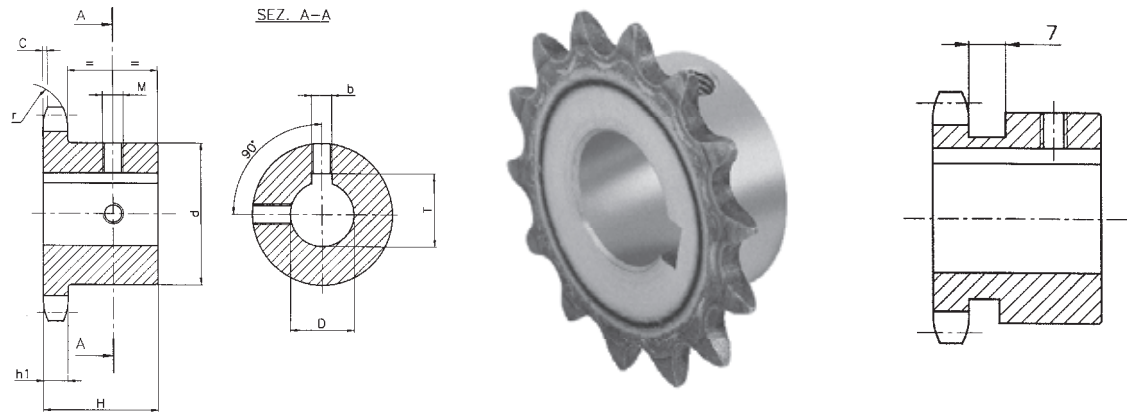

1/2" x 5/16"
Versione (*) / Type (*) / Typ (*) / Tipo (*)
08B-1 12,7 x 7,75 mm
DIN 8187 ISO/R606

CATENA	CHAIN	KETTE	CHAÎNE	CADENA	ISO mm
Passo	Pitch	Teilung	Pas	Paso	12,7
Larghezza interna	Internal width	Innere Breite	Largeur interieure	Ancho interno	7,8
Rullo ø	Roller ø	Rollen ø	ø du rouleau	Rodillo ø	8,5

PIGNONE	SPROCKETS	KETTENRÄDER	PIGNONS	PIÑONES	
Raggio dente r	Tooth radius r	Radius r	Rayon de denture r	Radio diente r	r 13,0
Larghezza raggio C	Radius width C	Breite C	Largeur de rayon C	Ancho radio C	C 1,3
Largh. Dente h ₁	Tooth width h ₁	Zahnbreite h ₁	Larg. de denture h ₁	Ancho diente h ₁	h₁ 7,2

b-T-M pag. / page 19
**Materiale C 45 E
UNI EN 10083-1**
**Material C 45 E
UNI EN 10083-1**
**Werkstoff C 45 E
UNI EN 10083-1**
**Matière C 45 E
UNI EN 10083-1**
**Material C 45 E
UNI EN 10083-1**

Cod.	Z	D	H	d	Cod.	Z	D	H	d	Cod.	Z	D	H	d	Cod.	Z	D	H	d	
09SA210	10	12	25	26	09SA515	15	15	28	45	09SC818	18	38	28	56	09SB822	22	28	28	70	70
09SA410		14		29*	09SA615		16			09SA819	18	09SC022	30							
09SA510		15		30*	09SA815		18			09SA919	19	09SC222	32							
09SA610		16		31*	09SA915		19			09SB019	20	09SC522	35							
09SA211	11	12	25	29	09SB015	16	20	28	50	09SB219	19	22	60	09SC822	23	38	28	70	70	
09SA411		14		31	09SB215		22			09SB419		24		09SA923		19				
09SA511		15		30	09SB415		24			09SB519		25		09SB023		20				
09SA611		16		31	09SB515		25			09SB819		28		09SB223		22				
09SA811	18	34*	09SB815	28	09SC019	30	09SB423	24												
09SA911	19	35*	09SC015	30	09SC219	32	09SB523	25												
09SA212	12	12	28	47	09SC215	16	32	28	64	09SB823	20	28	70	09SC023	24	28	28	70	70	
09SA412		14		49*	09SA516		15			09SC519		35		09SB824		24				
09SA512		15		33	09SA616		16			09SC819		38		09SB524		25				
09SA612		16		36	09SA816		18			09SA620		16		09SC823		38				
09SA812	18	38*	09SA916	19	09SA820	18	09SC523	35												
09SA912	19	35	09SB016	20	09SA920	19	09SC823	38												
09SB012	20	36	09SB216	22	09SB020	20	09SA924	19												
09SB212	22	38*	09SB416	24	09SB020	20	09SB024	20												
09SB412	24	41*	09SB516	25	09SB220	22	09SB224	22												
09SB512	25	42*	09SB816	28	09SB420	24	09SB424	24												
09SA213	13	12	28	53*	09SB520	20	25	28	68	09SB820	21	28	70	09SB524	25	25	28	70	70	
09SA413		14		53*	09SC016		30			09SB820		28		09SB824		28				
09SA513		15		37	09SC216		32			09SC020		30		09SC024		30				
09SA613		16		42*	09SA517		15			09SC220		32		09SC224		32				
09SA813	18	45*	09SA617	16	09SC520	35	09SC524	35												
09SA913	19	45*	09SA817	18	09SC820	38	09SC824	38												
09SB013	20	45*	09SA917	19	09SA621	16	09SA925	19												
09SB213	22	45*	09SB017	20	09SA821	18	09SB025	20												
09SB413	24	42*	09SB217	22	09SA921	19	09SB225	22												
09SB513	25	45*	09SB417	24	09SB021	20	09SB425	24												
09SB813	28	45*	09SB517	25	09SB221	22	09SB525	25												
09SA214	14	12	41	56	09SB817	21	28	28	70	09SB421	21	24	70	09SB825	25	28	28	70	70	
09SA414		14		56	09SC017		30			09SB521		25		09SC025		30				
09SA514		15		56	09SC217		32			09SB821		28		09SC225		32				
09SA614		16		56	09SA618		16			09SC021		30		09SC525		35				
09SA814	18	56	09SA818	18	09SC221	32	09SC825	38												
09SA914	19	56	09SA918	19	09SC521	35	09SB530	25												
09SB014	20	56	09SB018	20	09SC821	38	09SB830	28												
09SB214	22	56	09SB218	22	09SA622	16	09SC030	30												
09SB414	24	56	09SB418	24	09SA822	18	09SC230	32												
09SB514	25	56	09SB518	25	09SA922	19	09SC530	35												
09SB814	28	56	09SB818	28	09SB022	20	09SC830	38												
09SA215	15	12	28	56	09SC018	22	30	28	70	09SB222	22	30	80		30	30	30	80	80	
09SA415		14		45	09SC218		32			09SB422		24								
					09SC518		35			09SB522		25								

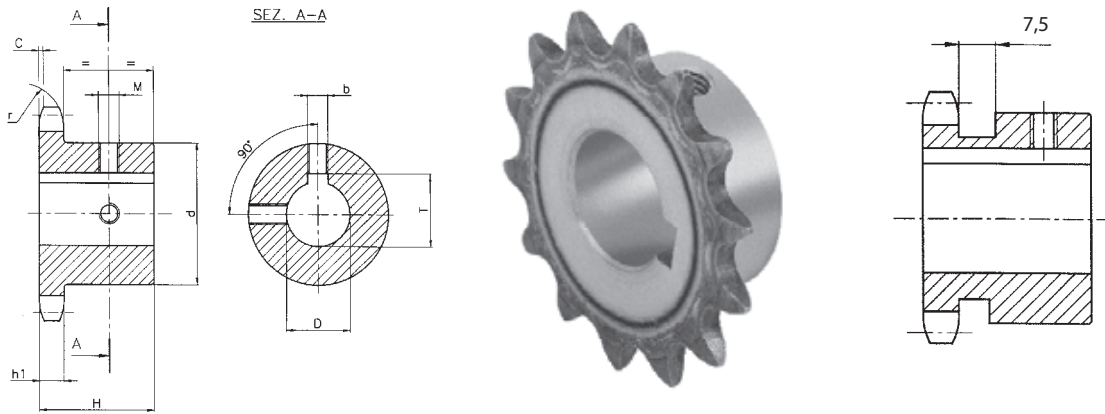

5/8" x 3/8"
Versione (*) / Type (*) / Typ (*) / Tipo (*)
10B-1 15,875 x 9,65 mm
DIN 8187 ISO/R606

CATENA	CHAIN	KETTE	CHAÎNE	CADENA	ISO mm
Passo	Pitch	Teilung	Pas	Paso	15,875
Larghezza interna	Internal width	Innere Breite	Largeur interieure	Ancho interno	9,700
Rullo ø	Roller ø	Rollen ø	ø du rouleau	Rodillo ø	10,000

PIGNONE	SPROCKETS	KETTENRÄDER	PIGNONS	PIÑONES	
Raggio dente r	Tooth radius r	Radius r	Rayon de denture r	Radio diente r	r 16,0
Larghezza raggio C	Radius width C	Breite C	Largeur de rayon C	Ancho radio C	C 1,6
Largh. Dente h ₁	Tooth width h ₁	Zahnbreite h ₁	Larg. de denture h ₁	Ancho diente h ₁	h₁ 9,1

b-T-M pag. / page 19
**Materiale C 45 E
UNI EN 10083-1**
**Material C 45 E
UNI EN 10083-1**
**Werkstoff C 45 E
UNI EN 10083-1**
**Matière C 45 E
UNI EN 10083-1**
**Material C 45 E
UNI EN 10083-1**

Cod.	Z	D	H	d	Cod.	Z	D	H	d	Cod.	Z	D	H	d	Cod.	Z	D	H	d	
10SA510	10	15	25	35	10SB814	14	28	30	52	10SA919	19	19	30	70	10SC522	22	35	30	80	
10SA610		16			10SC014		30			10SB019		20			10SC822		38			
10SA910		19			10SC214		32			10SB219		22			10SD022		40			
10SB010		20			10SA915		19			10SB419		24			10SD222		42			
10SB410		24			10SB015		20			10SB519		25			10SA923		19			
10SA511	11	15	30	42*	10SB215	15	22	30	57	10SB819	19	28	30	70	10SB023	23	20	30	80	
10SA611		16			10SB415		24			10SC019		30			10SB223		22			
10SA811		18			10SB515		25			10SC219		32			10SB423		24			
10SA911		19			10SB815		28			10SC519		35			10SB523		25			
10SB011		20			10SC015		30			10SC819		38			10SB823		28			
10SB411	24	10SC215	32	10SD019	40	10SC023	30													
10SB511	25	10SC515	35	10SD219	42	10SC223	32													
10SB811	28	10SA916	19	10SA920	19	10SC523	35													
10SC011	30	10SB016	20	10SB020	20	10SC823	38													
10SA512	12	15	30	42	10SB216	16	22	30	60	10SD020	20	22	30	75	10SD023	24	40	30	80	
10SA612		16			10SB416		24			10SB820		28			10SD223		42			
10SA812		18			10SB516		25			10SB820		28			10SA924		19			
10SA912		19			10SB816		28			10SC020		30			10SB024		20			
10SB012		20			10SC016		30			10SC220		32			10SB224		22			
10SB212	22	10SC216	32	10SC520	35	10SB424	24													
10SB412	24	10SC516	35	10SC820	38	10SB524	25													
10SB512	25	10SC816	38	10SC820	38	10SB824	28													
10SB812	28	10SA917	19	10SD020	40	10SB824	28													
10SC012	30	10SB017	20	10SD220	42	10SC024	30													
10SC212	32	10SB217	22	10SA921	19	10SC224	32													
10SA513	13	15	30	47	10SB417	17	24	30	60	10SA921	21	19	30	75	10SC524	25	35	30	80	
10SA613		16			10SB021		20			10SC824		38								
10SA813		18			10SB221		22			10SD024		40								
10SA913		19			10SB421		24			10SD224		42								
10SB013		20			10SB521		25			10SA925		19								
10SB213	22	10SB821	28	10SB025	20															
10SB413	24	10SC021	30	10SB225	22															
10SB513	25	10SC221	32	10SB425	24															
10SB813	28	10SC521	35	10SB525	25															
10SC013	30	10SC821	38	10SB825	28															
10SC213	32	10SD021	40	10SB825	28															
10SA514	14	15	30	52	10SA918	18	19	30	70	10SC025	22	30	30	80	10SC225	25	32	30	80	
10SA614		16			10SB022		20			10SC525		35								
10SA814		18			10SB222		22			10SC825		38								
10SA914		19			10SB422		24			10SD025		40								
10SB014		20			10SB522		25			10SD225		42								
10SB214	22	10SB822	28	10SA922	19															
10SB414	24	10SC022	30	10SB022	20															
10SB514	25	10SC222	32	10SB222	22															
		10SC522	35	10SB422	24															
		10SC822	38	10SB522	25															
		10SD018	40	10SB822	28															
		10SD218	42	10SC022	30															
				10SC222	32															

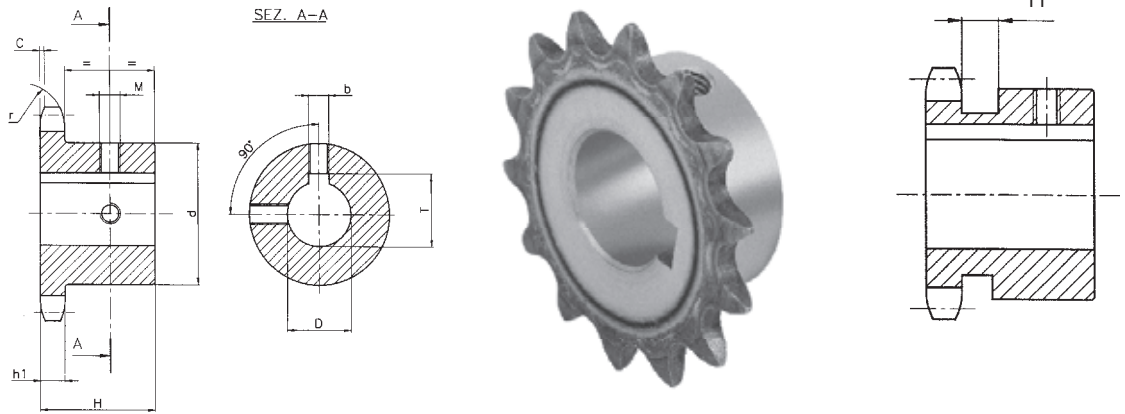

3/4" x 7/16"
Versione (*) / Type (*) / Typ (*) / Tipo (*)
12B-1 19,05 x 11,68 mm
DIN 8187 ISO/R606

CATENA	CHAIN	KETTE	CHAÎNE	CADENA	ISO mm
Passo	Pitch	Teilung	Pas	Paso	19,05
Larghezza interna	Internal width	Innere Breite	Largeur interieure	Ancho interno	11,68
Rullo \varnothing	Roller \varnothing	Rollen \varnothing	\varnothing du rouleau	Rodillo \varnothing	12,07

PIGNONE	SPROCKETS	KETTENRÄDER	PIGNONS	PIÑONES	
Raggio dente r	Tooth radius r	Radius r	Rayon de denture r	Radio diente r	r 19,0
Larghezza raggio C	Radius width C	Breite C	Largeur de rayon C	Ancho radio C	C 2,0
Largh. Dente h_1	Tooth width h_1	Zahnbreite h_1	Larg. de denture h_1	Ancho diente h_1	h_1 11,1

b-T-M pag. / page 19
**Materiale C 45 E
UNI EN 10083-1**
**Material C 45 E
UNI EN 10083-1**
**Werkstoff C 45 E
UNI EN 10083-1**
**Matière C 45 E
UNI EN 10083-1**
**Material C 45 E
UNI EN 10083-1**

Cod.	Z	D	H	d	Cod.	Z	D	H	d	Cod.	Z	D	H	d	Cod.	Z	D	H	d	
11SA910	10	19	30	42	11SA915	15	19	35	70	11SD019	19	40	35	80	11SD023	23	40	40	90	90
11SB010		20			11SB015		20			11SD219		42			11SD223		42			
11SB410		24			11SB215		22			11SD519		45			11SD523		45			
11SB510		25			11SB415		24			11SD819		48			11SD823		48			
11SB810		28			11SB515		25			11SE019		50			11SE023		50			
11SC010		30			11SB815		28			11SB520		25			11SB524		25			
11SC210	32	11SC015	30	11SB820	28	11SB824	28													
11SA911	11	19	35	46	11SC215	16	32	35	75	11SC020	20	30	35	80	11SC024	24	30	40	90	90
11SB011		20			11SC515		35			11SC220		32			11SC224		32			
11SB411		24			11SC815		38			11SC520		35			11SC524		35			
11SB511		25			11SD015		40			11SC820		38			11SC824		38			
11SB811		28			11SA916		19			11SD020		40			11SD024		40			
11SC011		30			11SB016		20			11SD220		42			11SD224		42			
11SC211	32	11SB216	22	11SD520	45	11SD524	45													
11SA912	12	19	35	52	11SB416	17	24	35	80	11SD820	21	48	40	90	11SD824	25	48	40	90	90
11SB012		20			11SB516		25			11SE020		50			11SE024		50			
11SB212		22			11SB816		28			11SB521		25			11SB525		25			
11SB412		24			11SC016		30			11SB821		28			11SB825		28			
11SB512		25			11SC216		32			11SC021		30			11SC025		30			
11SB812		28			11SC516		35			11SC221		32			11SC225		32			
11SC012	30	11SC816	38	11SC521	35	11SC525	35													
11SC212	32	11SD016	40	11SC821	38	11SC825	38													
11SC512	35	11SB517	25	11SD021	40	11SD025	40													
11SA913	13	19	35	58	11SB817	18	28	35	80	11SD221	22	42	40	90	11SD225	25	42	40	90	90
11SB013		20			11SC017		30			11SD521		45			11SD525		45			
11SB213		22			11SC217		32			11SD821		48			11SD825		48			
11SB413		24			11SC517		35			11SE021		50			11SE025		50			
11SB513		25			11SC817		38			11SB522		25								
11SB813		28			11SD017		40			11SB822		28								
11SC013	30	11SD217	42	11SC022	30															
11SC213	32	11SB518	25	11SC222	32															
11SC513	35	11SB818	28	11SC522	35															
11SC813	38	11SC018	30	11SC822	38															
11SA914	14	19	35	64	11SC218	19	32	35	80	11SC822	23	40	40	90		23	40	40	90	90
11SB014		20			11SC518		35			11SD022		42								
11SB214		22			11SC818		38			11SD522		45								
11SB414		24			11SD018		40			11SD822		48								
11SB514		25			11SD218		42			11SE022		50								
11SB814		28			11SB519		25			11SB523		25								
11SC014	30	11SB819	28	11SB823	28															
11SC214	32	11SC019	30	11SC023	30															
11SC514	35	11SC219	32	11SC223	32															
11SC814	38	11SC519	35	11SC523	35															
11SD014	40	11SC819	38	11SC823	38															

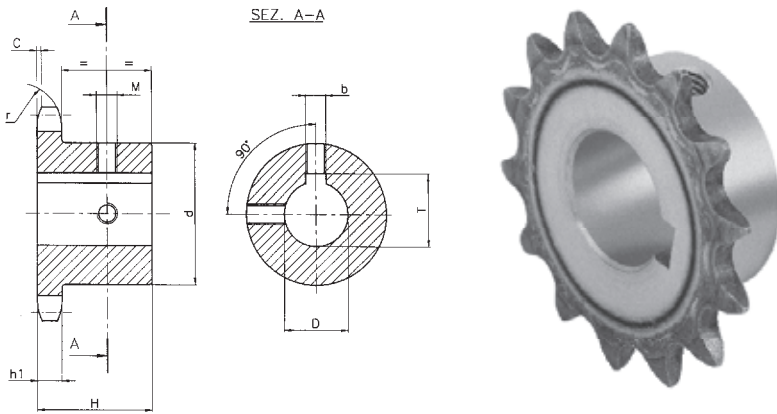

1" x 17,02 mm
Versione (*) / Type (*) / Typ (*) / Tipo (*)
16B-1 25,4 x 17,02 mm
DIN 8187 ISO/R606

CATENA	CHAIN	KETTE	CHAÎNE	CADENA	ISO mm
Passo	Pitch	Teilung	Pas	Paso	25,40
Larghezza interna	Internal width	Innere Breite	Largeur interieure	Ancho interno	17,02
Rullo ø	Roller ø	Rollen ø	ø du rouleau	Rodillo ø	15,88

PIGNONE	SPROCKETS	KETTENRÄDER	PIGNONS	PIÑONES	
Raggio dente r	Tooth radius r	Radius r	Rayon de denture r	Radio diente r	r 26,0
Larghezza raggio C	Radius width C	Breite C	Largeur de rayon C	Ancho radio C	C 2,5
Largh. Dente h ₁	Tooth width h ₁	Zahnbreite h ₁	Larg. de denture h ₁	Ancho diente h ₁	h₁ 16,2

b-T-M pag. / page 19
**Materiale C 45 E
UNI EN 10083-1**
**Material C 45 E
UNI EN 10083-1**
**Werkstoff C 45 E
UNI EN 10083-1**
**Matière C 45 E
UNI EN 10083-1**
**Material C 45 E
UNI EN 10083-1**

CODICE	Z	D	H	d	CODICE	Z	D	H	d	CODICE	Z	D	H	d	CODICE	Z	D	H	d	
12SB511	11	25	40	61	12SD015	15	40	40	92	12SD019	19	40	45	100	12SD023	23	40	50	110	
12SB811		28			12SD215		42			12SD219		42			12SD223		42			
12SC011		30			12SD515		45			12SD519		45			12SD523		45			
12SC211		32			12SD815		48			12SD819		48			12SD823		48			
12SC511		35			12SE015		50			12SE019		50			12SE023		50			
12SC811	12	38	40	65	12SB516	16	25	45	100	12SB520	20	25	45	100	12SB524	24	25	50	110	
12SD011		40			12SB816		28			12SB820		28			12SB824		28			
12SD211		42			12SC016		30			12SC020		30			12SC024		30			
12SB512		25			12SC216		32			12SC220		32			12SC224		32			
12SB812		28			12SC516		35			12SC520		35			12SC524		35			
12SC012	30	12SC816	38	12SC820	38	12SC824	38													
12SC212	32	12SD016	40	12SD020	40	12SD024	40													
12SC512	35	12SD216	42	12SD220	42	12SD224	42													
12SC812	38	12SD516	45	12SD520	45	12SD524	45													
12SD012	40	12SD816	48	12SD820	48	12SD824	48													
12SD212	42	12SE016	50	12SE020	50	12SE024	50													
12SB513	13	25	40	78	12SB517	17	25	45	100	12SB521	21	25	50	110	12SB525	25	25	50	110	
12SB813		28			12SB817		28			12SB821		28			12SB825		28			
12SC013		30			12SC017		30			12SC021		30			12SC025		30			
12SC213		32			12SC217		32			12SC221		32			12SC225		32			
12SC513		35			12SC517		35			12SC521		35			12SC525		35			
12SC813	38	12SC817	38	12SC821	38	12SC825	38													
12SD013	40	12SD017	40	12SD021	40	12SD025	40													
12SD213	42	12SD217	42	12SD221	42	12SD225	42													
12SD513	45	12SD517	45	12SD521	45	12SD525	45													
12SD813	48	12SD817	48	12SD821	48	12SD825	48													
12SE013	50	12SE017	50	12SE021	50	12SE025	50													
12SB514	14	25	40	84	12SB518	18	25	45	100	12SB522	22	25	50	110						
12SB814		28			12SB818		28			12SB822		28			12SB826					28
12SC014		30			12SC018		30			12SC022		30			12SC026					30
12SC214		32			12SC218		32			12SC222		32			12SC226					32
12SC514		35			12SC518		35			12SC522		35			12SC526					35
12SC814	38	12SC818	38	12SC822	38	12SC826	38													
12SD014	40	12SD018	40	12SD022	40	12SD026	40													
12SD214	42	12SD218	42	12SD222	42	12SD226	42													
12SD514	45	12SD518	45	12SD522	45	12SD526	45													
12SD814	48	12SD818	48	12SD822	48	12SD826	48													
12SE014	50	12SE018	50	12SE022	50	12SE026	50													
12SB515	15	25	40	92	12SB519	19	25	45	100	12SB523	23	25	50	110						
12SB815		28			12SB819		28			12SB823		28			12SB827					28
12SC015		30			12SC019		30			12SC023		30			12SC027					30
12SC215		32			12SC219		32			12SC223		32			12SC227					32
12SC515		35			12SC519		35			12SC523		35			12SC527					35
12SC815	38	12SC819	38	12SC823	38	12SC827	38													


1" 1/4 x 3/4"
20B-1 31,75 x 19,56 mm
DIN 8187 ISO/R606

CATENA	CHAIN	KETTE	CHAÎNE	CADENA	ISO mm
Passo	Pitch	Teilung	Pas	Paso	31,75
Larghezza interna	Internal width	Innere Breite	Largeur interieure	Ancho interno	19,56
Rullo \varnothing	Roller \varnothing	Rollen \varnothing	\varnothing du rouleau	Rodillo \varnothing	19,05

PIGNONE	SPROCKETS	KETTENRÄDER	PIGNONS	PIÑONES	
Raggio dente r	Tooth radius r	Radius r	Rayon de denture r	Radio diente r	r 32,0
Larghezza raggio C	Radius width C	Breite C	Largeur de rayon C	Ancho radio C	C 3,5
Largh. Dente h_1	Tooth width h_1	Zahnbreite h_1	Larg. de denture h_1	Ancho diente h_1	h_1 18,5

b-T-M pag. / page 19
**Materiale C 45 E
UNI EN 10083-1**
**Material C 45 E
UNI EN 10083-1**
**Werkstoff C 45 E
UNI EN 10083-1**
**Matière C 45 E
UNI EN 10083-1**
**Material C 45 E
UNI EN 10083-1**

CODICE	Z	D	H	d	CODICE	Z	D	H	d	CODICE	Z	D	H	d
13SB509	09	25	40	63	13SC213	13	32	45	98	13SC817	17	38	50	120
13SC009		30			13SD013		40			13SD517		45		
13SC209		32			13SD213		42			13SD817		48		
13SC509		35			13SD513		45			13SE017		50		
13SC809		38			13SD813		48			13SF017		60		
13SB510	10	25	40	70	13SE013	10	50	45	108	13SF517	17	65	50	120
13SC010		30			13SF013		60			13SG017		70		
13SC210		32			13SC214		32			13SC818		38		
13SC510		35			13SC514		35			13SD018		40		
13SC810		38			13SC814		38			13SD218		42		
13SB511	11	25	45	77	13SD014	14	40	45	108	13SD518	18	45	50	120
13SB811		28			13SD214		42			13SD818		48		
13SC011		30			13SD514		45			13SE018		50		
13SC211		32			13SC814		48			13SF018		60		
13SC511		35			13SE014		50			13SF518		65		
13SC811	38	13SF014	60	13SG018	70									
13SD011	12	40	45	88	13SC215	15	32	45	118	13SC819	19	38	50	120
13SD211		42			13SC515		35			13SD019		40		
13SD511		45			13SC815		38			13SD219		42		
13SE011		50			13SD015		40			13SD519		45		
13SF011		60			13SD215		42			13SD819		48		
13SB512	13	25	45	98	13SE015	15	50	50	120	13SF019	19	60	50	120
13SB812		28			13SF015		60			13SG019		70		
13SC012		30			13SC816		38			13SC820		38		
13SC212		32			13SD016		40			13SD020		40		
13SC512		35			13SD216		42			13SD220		42		
13SC812	38	13SD516	45	13SD520	45									
13SD012	40	13SD816	48	13SD820	48									
13SD212	42	13SE016	50	13SE020	50									
13SD512	45	13SF016	60	13SF020	60									
13SD812	48	13SF516	65	13SF520	65									
13SE012	50	13SG016	70	13SG020	70									
13SF012	60													