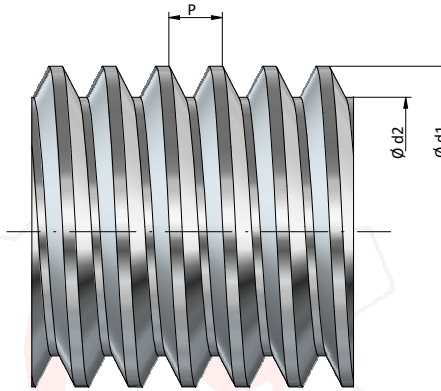


HUSILLO MECANIZADO



Husillo mecanizado. Material : C - 45					
Código derecha	Código izquierda	Referencia	Ø d1	Ø d2	Peso (Kg/m)
1815301	1815302	Tr 15 x 3	15	10.84	1.22
1816401	1816402	Tr 16 x 4	16	10.80	1.21
1818401	1818402	Tr 18 x 4	18	12.80	1.58
1820401	1820402	Tr 20 x 4	20	14.80	2.00
1822501	1822502	Tr 22 x 5	22	15.50	2.23
1824501	1824502	Tr 24 x 5	24	17.50	2.72
1826501	1826502	Tr 26 x 5	26	19.50	3.26
1828501	1828502	Tr 28 x 5	28	21.50	3.85
1830601	1830602	Tr 30 x 6	30	21.90	4.50
1832601	1832602	Tr 32 x 6	32	23.90	5.18
1835601	1835602	Tr 35 x 6	35	26.90	6.35
1836601	1836602	Tr 36 x 6	36	27.90	6.71
1840701	1840702	Tr 40 x 7	40	30.50	8.00
1845701	1845702	Tr 45 x 7	45	35.50	10.48
1850801	1850802	Tr 50 x 8	50	39.30	13.1
1860901	1860902	Tr 60 x 9	60	48.15	18.0

